

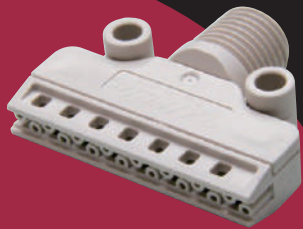
Compact size,
quiet blowing

Energy-efficient air nozzles

TAIFUJet®

Stainless steel

Reduce air consumption
by the uniform, **high impact**
air jet



Also available in heat-
and chemical-resistant PPS



Features

- Pressure-resistant stainless steel air nozzle.
- The 35 mm-long compact body provides a powerful air blow with high blowing force and optimal energy saving.
It helps further reductions in equipment size and costs.
- Low-noise design for a better work environment.

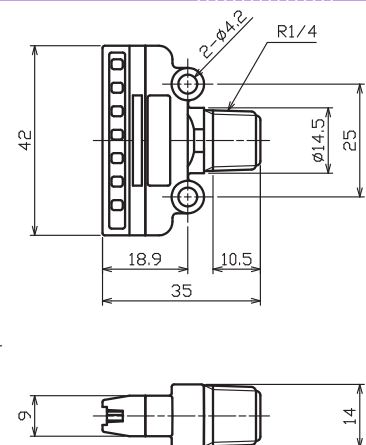
Sound level

Orifice diameter	Air pressure (MPa)	Noise level (dBA)
ø0.8	0.1	62
	0.3	73
	0.5	79
ø1.0	0.1	68
	0.3	78
	0.5	84
ø1.2	0.1	72
	0.3	82
	0.5	88

Ground noise: 46 dBA,
Distance from noise meter: 1,000 mm

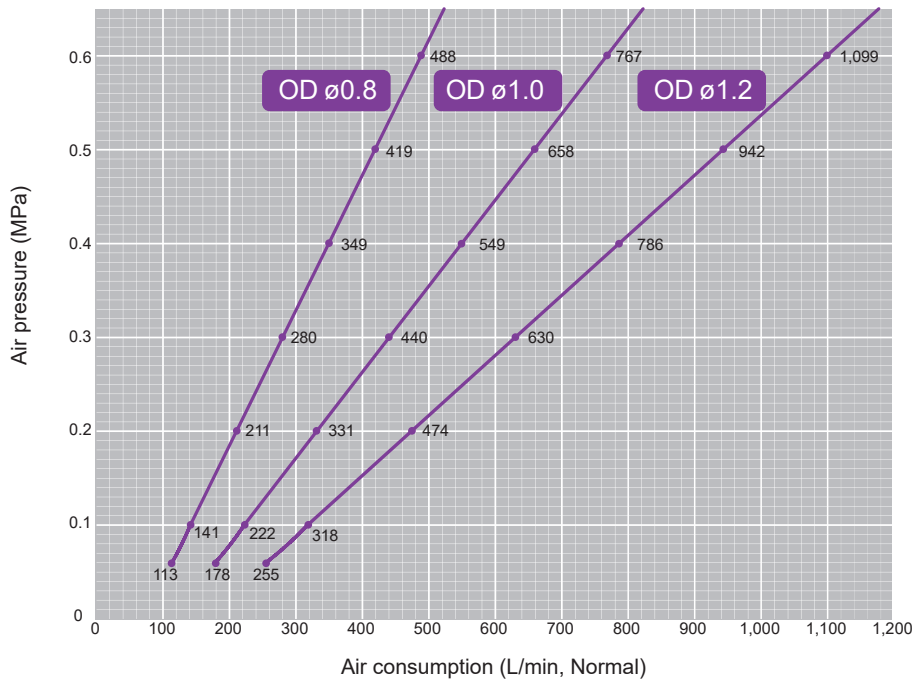
Specifications

Material: Stainless steel 316L equivalent
Mass: 38 g
Max. operating pressure: 1.0 MPa
Max. allowable temperature: 400°C



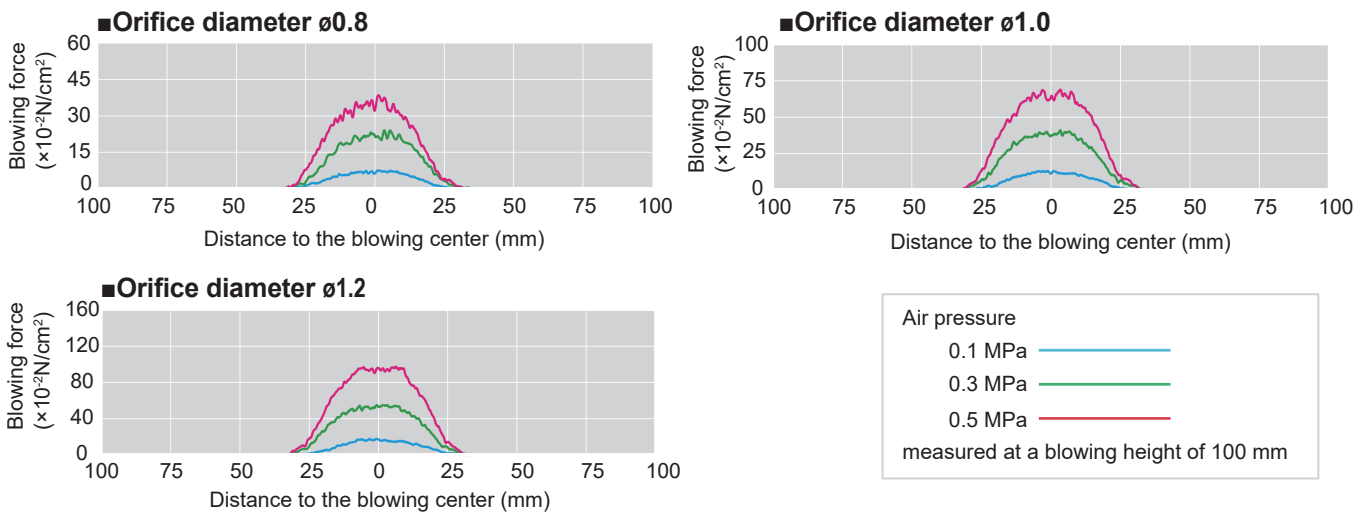
*1) ød = Orifice diameter 0.8, 1.0, or 1.2 mm

Air consumption



OD =
Orifice Diameter

Blowing force distribution



1/4M (PT) TF-FS 42-16-010

Pipe conn. size² Thread type

- PT
- NPT

²) "M" indicates male thread ("R" of the ISO standard), e.g. 1/4M = R1/4.

Orifice diameter code

- 008 (ø0.8)
- 010 (ø1.0)
- 012 (ø1.2)

S316L-IN

Material

Specifications and contents of this leaflet are subject to change without prior notice for purpose of product improvement.

Please feel free to send any inquiry, request for information or quote on this product to the contacts below.



“The Fog Engineers”
H. IKEUCHI & CO., LTD.

Headquarters

Daiichi Kyogyo Bldg., 1-15-15, Awaza, Nishi-ku, Osaka 550-0011, Japan
 Tel: 81-6-6538-4015 Fax: 81-6-6538-4022
 E-mail: overseas@kirinoikeuchi.co.jp
 URL: <https://www.kirinoikeuchi.co.jp/eng/>

We have our branches and affiliate companies around the world—in China, USA, The Netherlands, Thailand, Indonesia, UAE, and more.
 Please see our website for the nearest contact.

<https://www.kirinoikeuchi.co.jp/eng/company/location/>