

Powerful cleaning  
with solid stream jet

Driven solely by liquid pressure

# 3D Rotating Nozzles

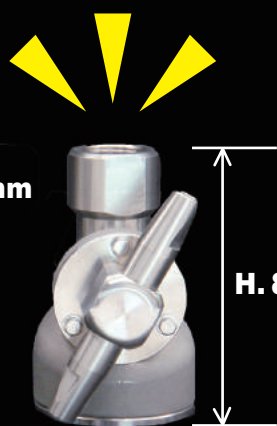
ROTARY JETTER series

**Compact type** has joined the lineup of ROTARY JETTER series



Other ROTARY JETTER

H. 143 mm



New type 1/2F RJ3-2L

H. 87 mm



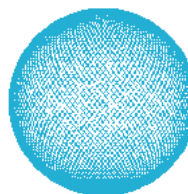
### Features

- Ideal for cleaning inside a tank with small diameter.
- Solid stream jet provides high cleaning performance.
- 360° rotation thoroughly cleans inside of a tank.
- 2-nozzle and 4-nozzle types are available.

### Cleaning trajectory

Cleaned for 15 minutes at 0.3 MPa

2-nozzle type

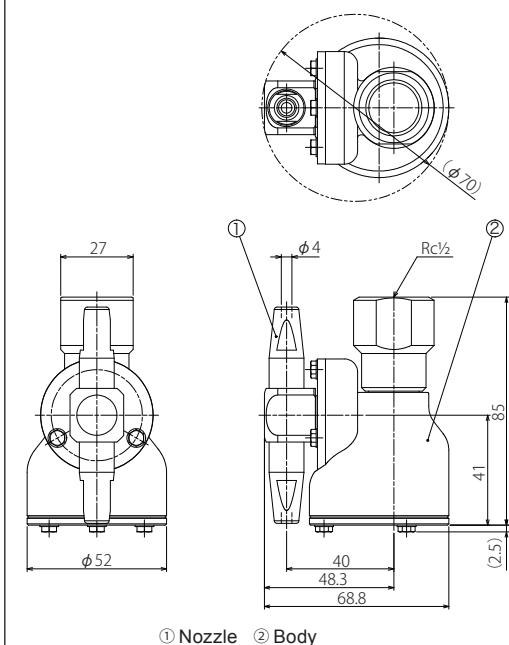


4-nozzle type



## New compact body

### Dimensions



① Nozzle ② Body

### 2-nozzle type

- Material: Stainless steel 304
- Mass: 620 g

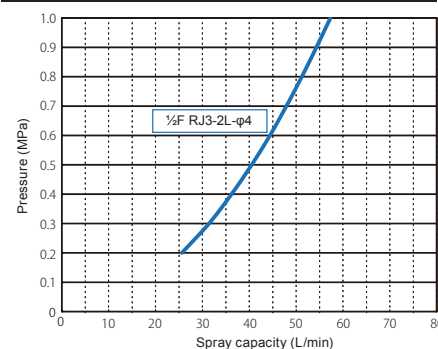
### Specifications

Use pressure	0.2–1.0 MPa
Spray capacity	25.6–57.3 L/min (at 0.2–1.0 MPa)
Reach distance in radius	Approx. 7 m (23 ft)
Heat resistance	Max. 80°C (176°F)

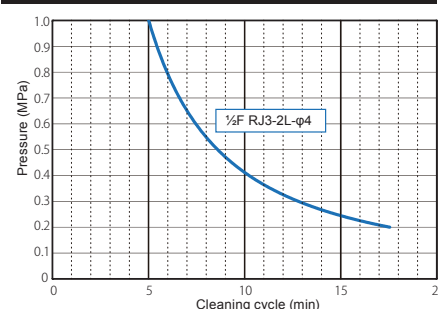
Please inquire or order as below.

1/2F RJ3-2L-φ4

### Spray capacity



### Pressure and cleaning cycle

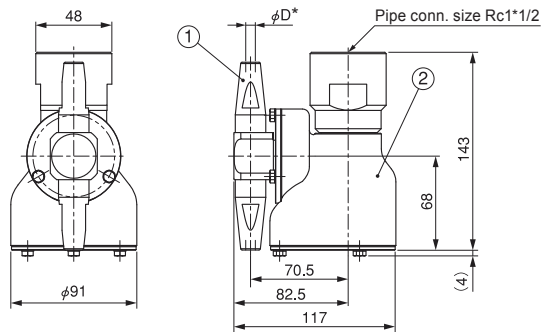


# Existing ROTARY JETTER series

## Dimensions

### 2-nozzle type

- Material: Stainless steel 304
- Mass: 2.7 kg

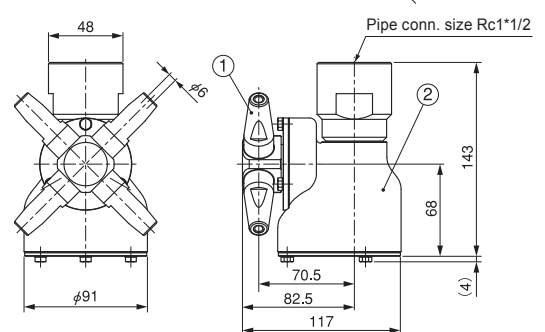


① Nozzle ② Body

\*Nozzle orifice diameter is shown in φD (either φ7, φ8, or φ9).

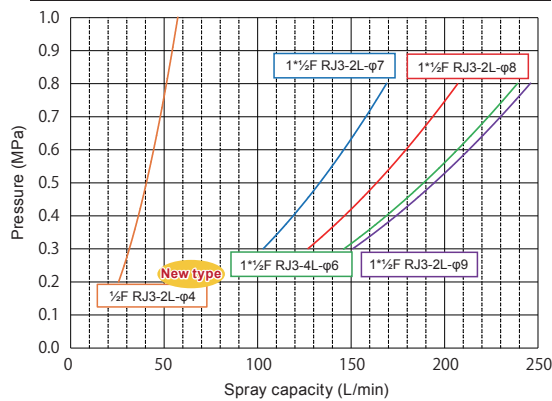
### 4-nozzle type

- Material: Stainless steel 304
- Mass: 2.8 kg

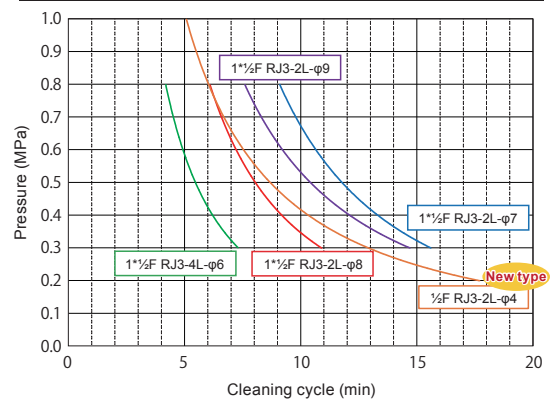


① Nozzle ② Body

## Spray capacity



## Pressure and cleaning cycle



## Specifications

Product code	1*1/2F RJ3-2L-φ7	1*1/2F RJ3-2L-φ8	1*1/2F RJ3-2L-φ9	1*1/2F RJ3-4L-φ6
Number of nozzles	2			4
Use pressure	0.3–0.8 MPa			
Spray capacity (at 0.3–0.8 MPa)	103–169 L/min	127–207 L/min	151–246 L/min	146–239 L/min
Reach distance in radius	Approx. 10 m (33 ft)		Approx. 12 m (39 ft)	Approx. 9 m (29.5 ft)
Heat resistance	Max. 80°C (176°F)			

**How to order** Please inquire or order for a specific nozzle using this coding system.

2-nozzle type

**1\*1/2F RJ3-2L-φ7**

[Example] 1\*1/2F RJ3-2L-φ7

Nozzle orifice diameter

- φ7
- φ8
- φ9

4-nozzle type **1\*1/2F RJ3-4L-φ6**

For the compact type, please see the front page.

Specifications of the products and contents of this leaflet are subject to change without prior notice for purpose of product improvement.

Please feel free to send any inquiry, request for information or quote on this product to the contacts below.

## Headquarters



“The Fog Engineers”  
**H. IKEUCHI & CO., LTD.**

Daiichi Kyogyo Bldg., 1-15-15, Awaza, Nishi-ku, Osaka 550-0011, Japan  
Tel: 81-6-6538-4015 Fax: 81-6-6538-4022  
E-mail: [overseas@kirinoikeuchi.co.jp](mailto:overseas@kirinoikeuchi.co.jp)  
URL: <https://www.kirinoikeuchi.co.jp/eng/>

We have our branches and affiliate companies around the world—in China, USA, The Netherlands, Turkey, Thailand, Indonesia, UAE, and more. Please see our website for the nearest contact.

<https://www.kirinoikeuchi.co.jp/eng/company/location/>